

S9i GNSS Receiver

The *Intelligent*
GNSS Receiver



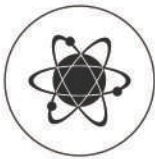
S9i *The Intelligent* GNSS Receiver

S9i is the result of the continuous evolution of the Stonex GNSS integrated receivers. Featuring a new, high accuracy multi constellation antenna, a powerful UHF transmitter and the GSM 3G modem, for a fully integrated communications choice, combined with a light and modern design.

Stonex S9i integrated GPS receiver tracks all the present GNSS constellations and satellite signals GPS, GLONASS, BEIDOU and GALILEO and the on line upgradable firmware offers the opportunity to be day by day updated with the latest available features.

On S9i it is possible to insert 2 smart hot swappable batteries at the same time, ensuring a maximum of 12 hours of operation without stopping.

The power level can be checked and seen on the controller or directly on a led bar on the battery. Moreover, the same battery is used on S9i and on the Stonex controllers S4II C/H.



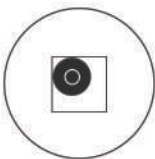
MULTI CONSTELLATION

Stonex S9i with its 220 channels, provides an excellent on board real time navigation solution with high accuracy. All GNSS signals (GPS, GLONASS, BEIDOU and GALILEO) are included, no additional cost.



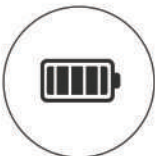
WEB UI CONTROL

To initialize, manage, monitor the settings of the receiver and to download data using portable or PC, smartphone or tablet with Wi-Fi capability.



ELECTRONIC BUBBLE

On S9i through E-Bubble it can be displayed directly on software if the pole is vertical and the point will be recorded automatically when the pole is in bubble. This makes the acquisition of points extremely fast.



INTELLIGENT BATTERIES

The dual slot for two Smart hot swappable batteries gives you up to 12 hours using the integrated UHF radiomodem. The power level can be checked and seen on the controller or directly on a led bar on the battery.



RUGGED RTK

With IP67 Certification Stonex S9i will ensure operations in various kinds of extremely tough environments.





S9i

Reliable & Fast

IP67 certification, combined with a high shock resistance S9i survives even after a 2 m drop on hard surface guarantee the maximum strength and the best water and dust fight even in harsh environments.

The new Ceramic zero phase shift multi system antenna support is essential for high accuracy measurements even in urban canyons and under vegetation.



WEB User Interface for GPS total control



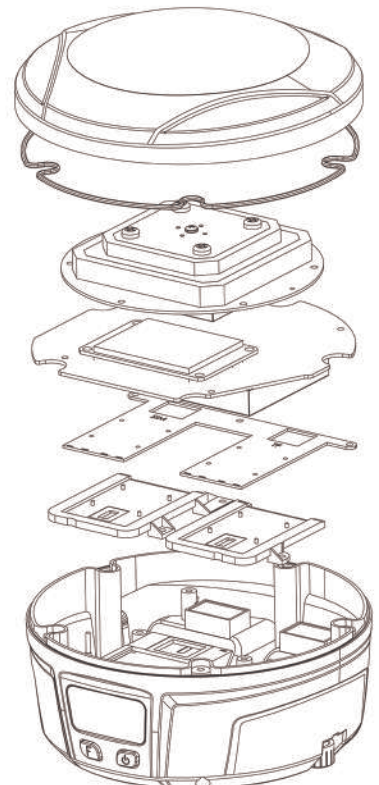
Two smart hot swappable batteries

The high speed bands WCDMA/HSPDPA mobile data connection capability ensures rapid transfer of differential data in several formats (RTCM 2.3/3.0/3.2, CMR, CMR+, sCMRx) with reliable Internet connection and very low latency.

In the amazingly compact structure the long range Bluetooth and Wi-Fi modules allow always reliable data flow to the controller, and the integrated TX/RX UHF radiomodem, with selectable frequencies and output power, make S9i the perfect tool for a Base + Rover system.

The extremely short initialization time, lets the user save time every day, every minute, every point.

When the GPS signal is lost, the advanced Stonex technology used in S9i dramatically minimize the reinitialization time, while positioning accuracy, checked from the field software, gives the smoothest field workflow.



TECHNICAL FEATURES

RECEIVER

Satellite Tracked	GPS: L1 C/A, L2E, L2C, L5
	GLONASS: L1 C/A, L1P, L2 C/A, L2P
	BEIDOU: B1, B2
	GALILEO: E1, E5 AltBOC, E5a, E5b
	QZSS: L1 C/A, L1C, L2C, L5
	SBAS: L1, L5
Channels	220
Position Rate	20 Hz
Signal Reacquisition	< 1 sec
RTK Signal Initialization	Typically < 10 sec
Hot Start	Typically < 15 sec
Initialization Reliability	> 99.9 %
Internal Memory	4 GB
Micro SD Card	Expansion slot up to 32 GB

POSITIONING¹

HIGH PRECISION STATIC SURVEYING	
Horizontal	2.5 mm + 0.1 ppm RMS
Vertical	3.5 mm + 0.4 ppm RMS
CODE DIFFERENTIAL POSITIONING	
Horizontal	0.25 m RMS
Vertical	0.45 m RMS
SBAS POSITIONING ²	
Horizontal	0.50 m RMS
Vertical	0.85 m RMS
REAL TIME KINEMATIC (< 30 Km) – NETWORK SURVEYING ³	
Fixed RTK Horizontal	8 mm + 1 ppm RMS
Fixed RTK Vertical	15 mm + 1 ppm RMS

INTEGRATED GNSS ANTENNA

High accuracy four constellation micro-strip antenna, zero phase center, with internal multipath suppressive board

INTERNAL RADIO

Type	Tx - Rx
Frequency Range	410 - 470 MHz
Channel Spacing	12.5 KHz / 25 KHz
Maximum Range	3-4 Km in urban environment Up to 10 Km with optimal conditions ⁴

Illustrations, descriptions and technical specifications are not binding and may change

1. Accuracy and reliability are generally subject to satellite geometry (DOPs), multipath, atmospheric conditions and obstructions. In static mode they are subject even to occupation times: the longer is the Baseline, the longer must be the occupation time.
2. Depends on SBAS system performance.
3. Network RTK precision depends on the network performances and are referenced to the closest physical base station.
4. Varies with the operating environment and with electromagnetic pollution.

INTERNAL MODEM

Band	GSM/GPRS/EDGE: 850/900/1800/1900 MHz WCDMA/HSDPA: 800/850/900/1900/2100 MHz
------	--

COMMUNICATION

I/O Connectors	7-pins Lemo and 5-pins Lemo interfaces. Multifunction cable with USB interface for PC connection
Bluetooth	V2.0 Class2
Wi-Fi	802.11 b/g/n
Web UI	To upgrade the software, manage the status and settings, data download, etc. via smart phone, tablet or other internet enabled electronic device
Reference outputs	RTCM 2.1, 2.3, 3.0, 3.1, 3.2 CMR, CMR+, RTCA
Navigation outputs	GGA, ZDA, GSA, GSV, GST, VTG, RMC, GLL

POWER SUPPLY

Battery	2 rechargeable and replaceable 10.8 V - 3400 mAh Intelligent lithium batteries
Voltage	9 to 22 V DC external power input with over-voltage protection (5 pins Lemo)
Working Time	Up to 12 hours (2 batteries hot swap)
Charge Time	Typically 4 hours

PHYSICAL SPECIFICATION

Dimensions	φ 159 mm x 89 mm
Weight	1.15 Kg (with one battery) 1.25 Kg (with two batteries)
Operating Temperature	-30°C to 65°C (-22°F to 149°F)
Storage Temperature	-40°C to 80°C (-40°F to 176°F)
Waterproof/Dustproof	IP67
Shock Resistance	Designed to endure to a 2 m pole drop on concrete floor with no damage
Vibration	Vibration resistant



STONEX®
Part of UniStrong

Via Cimabue 39 - 20851 Lissone (MB) Italy
Phone +39 039 2783008 | Fax +39 039 2789576
www.stonex.it | info@stonexpositioning.com

STONEX AUTHORIZED DEALER